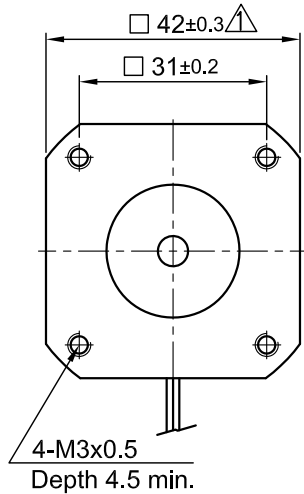
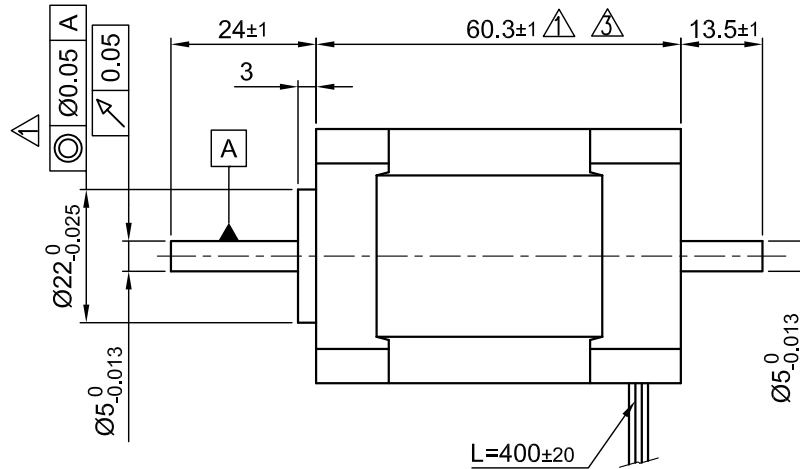


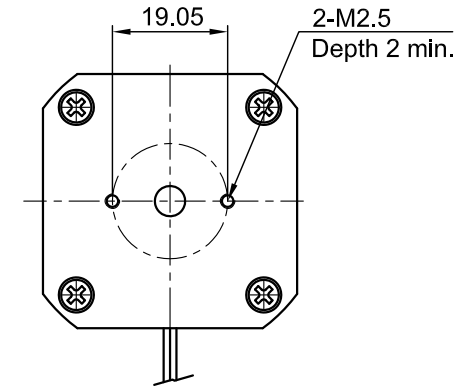
Front view and mounting



Side view

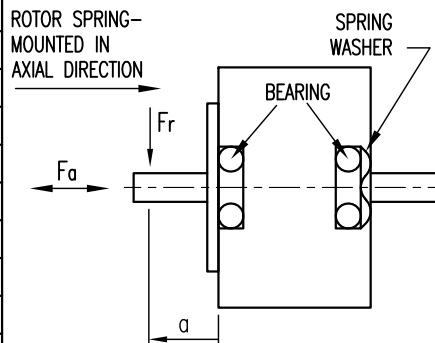


Rear view



| SPECIFICATION | CONNECTION | DELTA |
|--|------------|-------------------------------|
| NO. OF POL./PHASE | | 8/3 |
| VOLTAGE RATED (VDC) | | 48 |
| CURRENT NO LOAD/RATED/PEAK (AMP) | | 0.6/1.63/4.88 |
| RESISTANCE/PHASE TO PHASE (Ohms) @25°C | | 0.95 |
| INDUCTANCE/PHASE TO PHASE (mH) @1KHz | | 1.8±20% |
| TORQUE RATED/PEAK (Nm) [lb-in] | | 0.07/0.21 [0.62/1.86] |
| TORQUE CONSTANT (Nm/A) | | 0.043 Δ |
| POWER RATED (W) | | 62 Δ |
| SPEED RATED/NO LOAD (RPM) Δ | | 8500/10200 |
| ROTOR INERTIA (Kg-m ²) [lb-in ²] | | 4.8x10 ⁻⁶ [0.0164] |
| WEIGHT (Kg) [lb] | | 0.45 [0.992] |
| TEMPERATURE RISE: MAX.80°C | | |
| AMBIENT TEMPERATURE -10°~ 50°C [14°F ~ 122°F] | | |
| INSULATION RESISTANCE 100 MOhm (UNDER NORMAL TEMPERATURE AND HUMIDITY) | | |
| INSULATION CLASS B 130° [266°F] | | |
| DIELECTRIC STRENGTH 500VAC FOR 1 MIN. (BETWEEN THE MOTOR COILS AND THE MOTOR CASE) | | |
| AMBIENT HUMIDITY MAX. 85% (NO CONDENSATION) | | |

PERMISSIBLE RADIAL+AXIAL FORCE



| | | |
|---------------------|-------|--------|
| AXIAL-FORCE Fa (N) | Fr=10 | |
| DISTANCE a (mm) | 20 | |
| RADIAL-FORCE Fr (N) | 28 | |
| | AXIAL | RADIAL |
| SHAFT PLAY (mm) | 0.08 | 0.02 |
| AT LOAD MAX: (N) | 4.5 | 4.5 |

| WIRING DIAGRAM | | LEAD GAUGE | | | | | | |
|--------------------|----------|----------------------------|-----|-----|-----|-----|-----|--------------|
| COLOR | FUNCTION | Dir. \longleftrightarrow | | | | | | |
| MOTOR 8 POL. | YEL U | X | HI | HI | X | LOW | LOW | UL1430 AWG20 |
| | RED V | HI | X | LOW | LOW | X | HI | |
| | BLK W | LOW | LOW | X | HI | HI | X | |
| HALL 24 IMPL. REV. | RED +5V | | | | | | | UL1430 AWG26 |
| | BLU H1 | 0 | 0 | 0 | 1 | 1 | 1 | |
| | WHT H2 | 0 | 1 | 1 | 1 | 0 | 0 | |
| | GRN H3 | 1 | 1 | 0 | 0 | 0 | 1 | |
| | BLK GND | | | | | | | |

DELTA CONNECTING PHASE A YEL

PHASE B RED PHASE C BLK

| | | | |
|-----|--------------------|----------|------|
| 5 | CHANGE POWER RATED | 16.06.15 | A.S. |
| 4 | UPDT. DATA | 24.10.14 | J.D. |
| 3 | NEW LENGTH | 07.03.14 | J.D. |
| REV | DESCRIPTION | DATE | DRN |



DB42M02

| | | | |
|------------|-----------|--------------|----------|
| SCALE FREE | APVD | <i>S.Ha.</i> | 19.06.07 |
| X ±0.5 | CHKD | | |
| 1PL ±0.2 | DRN | <i>J.W.</i> | 10.11.06 |
| 2PL ±0.1 | SIGNATURE | DATE | |
| ANGLE ±30° | | | |

BRUSHLESS DC MOTOR

DWG.NO

DB42M02